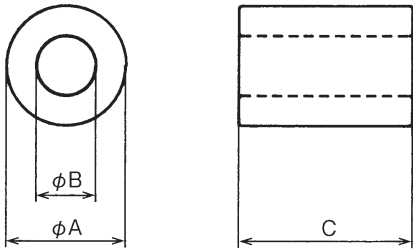
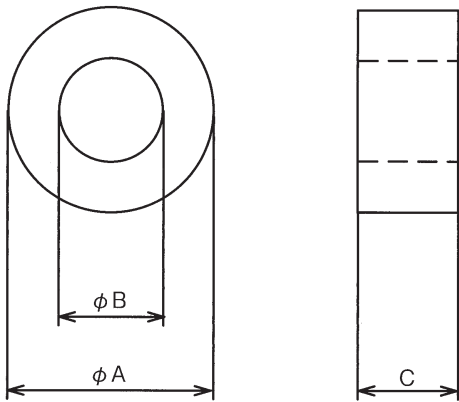


# 非分割フェライトコアGRI/GTR



(単位: mm)

品番	φA	φB	C	インピーダンス※Ω100MHz (1ターン)	
GRI-3-4-1	3.0	1.0	4.0	≧ 25	
GRI-3.5-3.5-1.2	3.5	1.2	3.5		
GRI-3.5-7-1.2			7.0	≧ 40	
GRI-4-5-1.5	4.0	1.5	5.0	≧ 30	
GRI-11-18-5	11.0	5.0	18.5	≧ 85	
GRI-11-20-5			20.0	≧ 90	
GRI-11-25-5			25.0	≧ 105	
GRI-12-16-8.5	12.0	8.5	16.0	≧ 35	
GRI-12.3-20-7	12.3	7.0	20.0	≧ 70	
GRI-14-28-6	14.3	6.3	28.6	≧ 130	
GRI-16-20-7	16.0	7.0	20.0	≧ 95	
GRI-16-28-7			28.0	≧ 130	
GRI-16-28-8				8.0	≧ 115
GRI-16-28-9				9.0	≧ 95
GRI-17.5-28.5-10.7	17.5	10.7	28.5	≧ 85	
GRI-18-28-10	18.0	10.0	28.0	≧ 100	
GRI-26-28-13	26.0	13.0		≧ 120	



(単位: mm)

品番	φA	φB	C	インピーダンス※Ω100MHz (1ターン)
GTR-7-3-4	7.0	3.5	4.0	≧ 20
GTR-9-5-8	9.0		8.0	≧ 30
GTR-10-5-5	10.0	5.0	5.0	≧ 25
GTR-11-5-9	11.0		9.0	≧ 45
GTR-12.5-8-12	12.6	8.1	12.0	≧ 35
GTR-13-7-6	13.0	7.0	6.0	≧ 25
GTR-13-7-12.7		7.1	12.7	≧ 45
GTR-14.5-10-8	14.5	10.2	8.0	≧ 20
GTR-16-8-13	16.5	8.2	13.0	≧ 55
GTR-16-8-16			16.0	≧ 65
GTR-16-10-7	16.0	10.0	7.0	≧ 25
GTR-16-10-10			10.0	≧ 30
GTR-18-10-6	18.0	10.2	6.0	≧ 25
GTR-20-10-5	20.5		5.0	10.0
GTR-20-10-10		10.0		
GTR-21-13-6	21.2	12.7	6.0	≧ 25
GTR-22-14-10	22.0	14.0	10.0	≧ 30
GTR-23-11-14	23.6	11.4	14.0	≧ 60
GTR-25-15-8	25.0	15.0	8.0	≧ 30
GTR-25-15-12			12.0	≧ 40
GTR-28-16-13	28.0	16.0	13.0	≧ 45
GTR-28-16-20			20.0	≧ 70
GTR-31-19-8	31.0	19.0	8.0	≧ 30
GTR-40-27-15	40.6	27.4	15.0	≧ 45